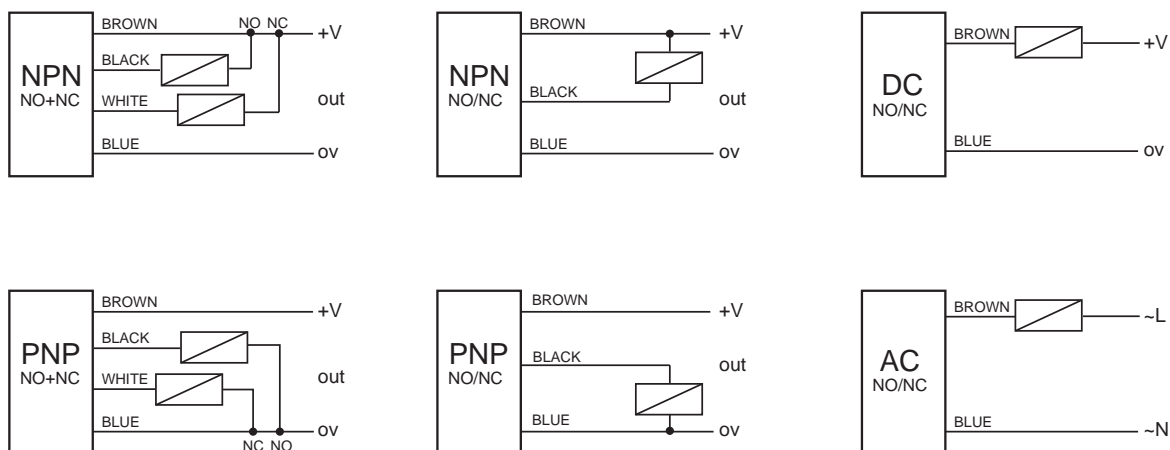


Model and Type	Output type	Mounting distance	Current output	Power supply	Connector model
PID-T12L-001	DC 2 Wire NO	2mm,shielded	≤ 200mA	DC 10-30V	2 Wire
PID-T12L-011	DC 2 Wire NC	2mm,shielded	≤ 200mA	DC 10-30V	2 Wire
PID-T12L-002	DC 2 Wire NO	4mm,unshielded	≤ 200mA	DC 10-30V	2 Wire
PID-T12L-012	DC 2 Wire NC	4mm,unshielded	≤ 200mA	DC 10-30V	2 Wire
PIA-T12L-001	AC 2 Wire NO	2mm,shielded	≤ 300mA	AC 90-250V	2 Wire
PIA-T12L-011	AC 2 Wire NC	2mm,shielded	≤ 300mA	AC 90-250V	2 Wire
PIA-T12L-002	AC 2 Wire NO	4mm,unshielded	≤ 300mA	AC 90-250V	2 Wire
PIA-T12L-012	AC 2 Wire NC	4mm,unshielded	≤ 300mA	AC 90-250V	2 Wire
PID-T12L-101	DC 2 Wire NO	2mm,shielded	≤ 200mA	DC 10-30V	Straight Plug-in connector
PID-T12L-111	DC 2 Wire NC	2mm,shielded	≤ 200mA	DC 10-30V	Straight Plug-in connector
PID-T12L-102	DC 2 Wire NO	4mm,unshielded	≤ 200mA	DC 10-30V	Straight Plug-in connector
PID-T12L-112	DC 2 Wire NC	4mm,unshielded	≤ 200mA	DC 10-30V	Straight Plug-in connector
PID-T12L-201	DC 2 Wire NO	2mm,shielded	≤ 200mA	DC 10-30V	90 Degree Plug-in connector
PID-T12L-211	DC 2 Wire NC	2mm,shielded	≤ 200mA	DC 10-30V	90 Degree Plug-in connector
PID-T12L-202	DC 2 Wire NO	4mm,unshielded	≤ 200mA	DC 10-30V	90 Degree Plug-in connector
PID-T12L-212	DC 2 Wire NC	4mm,unshielded	≤ 200mA	DC 10-30V	90 Degree Plug-in connector
PIA-T12L-101	AC 2 Wire NO	2mm,shielded	≤ 300mA	AC 90-250V	Straight Plug-in connector
PIA-T12L-111	AC 2 Wire NC	2mm,shielded	≤ 300mA	AC 90-250V	Straight Plug-in connector
PIA-T12L-102	AC 2 Wire NO	4mm,unshielded	≤ 300mA	AC 90-250V	Straight Plug-in connector
PIA-T12L-112	AC 2 Wire NC	4mm,unshielded	≤ 300mA	AC 90-250V	Straight Plug-in connector
PIA-T12L-201	AC 2 Wire NO	2mm,shielded	≤ 300mA	AC 90-250V	90 Degree Plug-in connector
PIA-T12L-211	AC 2 Wire NC	2mm,shielded	≤ 300mA	AC 90-250V	90 Degree Plug-in connector
PIA-T12L-202	AC 2 Wire NO	4mm,unshielded	≤ 300mA	AC 90-250V	90 Degree Plug-in connector
PIA-T12L-212	AC 2 Wire NC	4mm,unshielded	≤ 300mA	AC 90-250V	90 Degree Plug-in connector

TECHNICAL SPECIFICATIONS

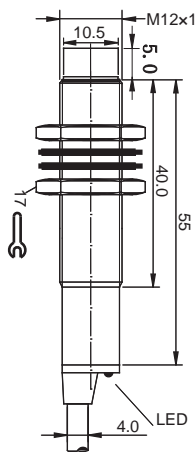
Property project	Specific parameter
Mounting distance	shielded (2mm) / unshielded(4mm)
Sensing distance	shielded (0-1.6mm) / unshielded (0-3.2mm)
Power supply	DC 10-30V / AC 90-250V
Frequency	DC: shielded ≤ 600Hz; unshielded ≤ 400Hz / AC: ≤ 20Hz
Current output	DC: ≤ 200mA / AC: ≤ 300mA
Ambient temperature	-20°C-70°C
Protection	DC: Over-current & polarity or no (please indicate when ordering) / AC: no
IP rating	IP67

ELECTRICAL CONNECTION DRAWING

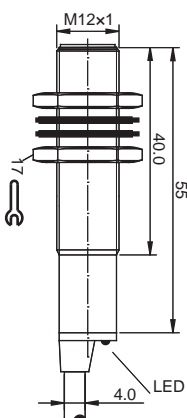


PICTURE OF PRODUCT MIX

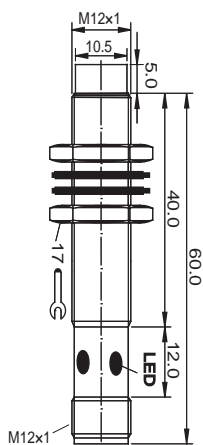
A: Wires & Unshielded



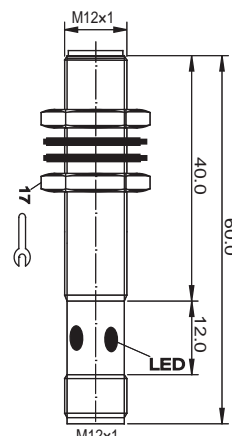
B: Wires & Shielded



C: Connector & Unshielded



D: Connector & Shielded



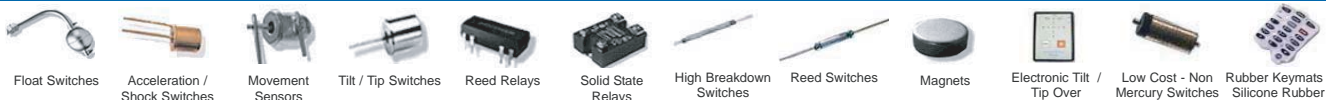
M12 Long Housing
All dimensions in millimeters (mm) nominal.

IPS INDUCTIVE PROXIMITY APPLICATION DIRECTIONS

- a. Set mounting distance equal to 80% of Sn.
- b. Set mounting distance roughly equal to 50% of Sn when sensor is used measuring mounting frequency or operating in high speed circumstances.
- c. Mounting distance will change depending on material (iron, stainless steel, brass, copper and aluminum).

REV. NO.	REVISION NOTE.	DATE	SIGNATURE
-	Original	Nov 2007	LG

TAKE A LOOK AT OUR VARIETY OF PRODUCTS



As part of the company policy of continued product improvement, specifications may change without notice. Our sales office will be pleased to help you with the latest information on this product range and the details of our full design and manufacturing service. All products are supplied to our standard conditions of sale unless otherwise agreed in writing

© 2007 Copyright Comus International, Inc. Website: www.comus-intl.com
 Publisher: Lilia I.Garay, Graphic Designer Comus International, 454 Allwood Rd. Clifton, NJ 07012 USA.
 USA: +(1) 973 777 6900 - UK: +44 (0) 1255 862236 - Belgium: + 32 (0)12 390400 - France: + 33 (0) 1 43 96 86 10