

SRT Resistor Technology

Precision High Voltage Resistors

Type: HVM

Sizes: HVM 25, HVM 50

Features:

- High Voltage Resistors in thick film technology
- Radial leads, variable lead spacing by bending
- Climatic protection by silicone coating
- Chip version available (without coating)
- Special versions possible
- Resistance values up to 10 Tera-Ohm
- Low values of TCR and VCR



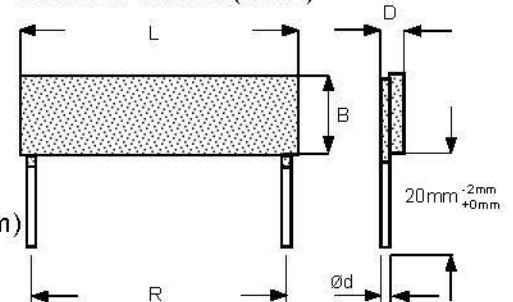
Dimensions:

Size	L	B	D	R	d
HVM 25	25.0 (1")	9.0	1.4	22.9 (0.9")	0.40 ^{±0.05}
HVM 50	50.0	12.5	1.4	47.8	0.40 ^{±0.05}

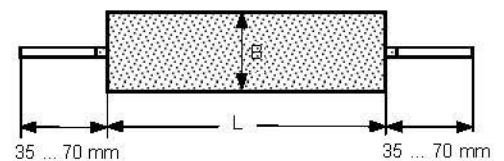
L = length, B = width, D = thickness (Tolerance of dimensions: ± 0.5 mm)
R = standard lead spacing (other spacing possible by bending)
d = wire diameter (in mm), other diameters possible (changes D)

Axiale versions, versions with formed leads and versions with leadframes are available on request.

Standard Version (radial)



Special Version (axial)



Packaging:

Bulk in plastic bags or boxes

Minimum quantity: 10 pieces per value

The labeling is made at the packing unit only.

Any marking of single components is not available (only on request at individual cases).

Ordering data:

Type – value – tolerance – TCR

Example: HVM 50 10G $\pm 10\%$ TCR 100

If no data for TCR are supplied, the highest value in the table will be supplied.

The standard measuring voltage is 10V, other voltages on request.

Precision High Voltage Resistors

Type: HVM

Sizes: HVM 25, HVM 50

Technical data – depending on size:

Size	HVM 25	HVM 50
Power rating $P_{70}(W)$ ($P_{125} = 0W$)	1.0	3.0
Working voltage U_{-}, U_{eff} (V)	15 KV	30 KV

Ranges / Tolerances / TCR ¹⁾ / VCR ²⁾		
1M – 100M	0.1 / ... / 20% TC 25/50/100 1 ppm/V	0.1 / ... / 20% TC 25/50/100 1 ppm/V
>100M – 300M	0.25 / ... / 20% TC 25/50/100 2 ppm/V	0.25 / ... / 20% TC 25/50/100 1 ppm/V
>300M – 1G	1 / ... / 20% TC 25/50/100 2 ppm/V	1 / ... / 20% TC 25/50/100 1 ppm/V
>1G – 100G	5 / ... / 30% TC 100/250 10 ppm/V	5 / ... / 30% TC 50/100 5 ppm/V
>100G – 1T	5 / ... / 30% TC 250/500 50 ppm/V	5 / ... / 30% TC 100/250 25 ppm/V
>1T – 10T	10 / 20 / 30% TC/VCR on request	10 / 20 / 30% TC/VCR on request

¹⁾ TCR: in ppm/K; TC25/50: Temperature range +25°C...+85°C

²⁾ VCR: typical values

Closer values of tolerance, TCR and VCR, other values or dimensions on request and agreement

General technical data:

Temperature range	-55°C ... +125°C
Climatic category to EN 60068-1	55/125/56
Humidity- / contact protection	Lacquer coating ³⁾

Long term stability	≤ 1G	1 - 10G	> 10G
Storage 125°C/1000h	< 0,5%	< 1%	< 2%
Storage 25°C/1000h	< 0,1%	< 0,5%	< 1%
Max. voltage/1000h	< 0,25%	< 1%	< 2%

³⁾ Resistant to most solvents. For cleaning the use of isopropyl alcohol (IPA) is recommended.
The use of acetone and methylene chloride is **not** allowed.