



DELAY ON RELEASE-FIXED SOLID STATE OUTPUT

1800

FEATURES:

- Hermetic Package
- CMOS Digital Design
- 300 mA Output
- Reverse Polarity Protection
- Built to MIL-R-83726 Environmentals

ELECTRICAL SPECIFICATIONS:

Timing Range: 50 ms to 600 s

Tolerance: $\pm 10\%$ or 10 ms whichever is greater

Repeatability: $\pm 0.1\%$

Recycle Time: 10 ms

Recovery Time: 20 ms

Input Data:

Input voltage: 18-31 V dc

Current drain: 10 mA plus load current

Output Data:

Output form: SPSTNO - Solid-state switch closure to ground.

Output rating: 300 mA (25°C)
100 mA (125°C)

Minimum load: 10 mA

Saturation voltage: 2.5 V maximum

Leakage: 1 μ A 25°C
10 μ A 125°C

ENVIRONMENTAL SPECIFICATIONS:

Temperature range: 1811 -55°C to +85°C,
1821 -55°C to +125°C.

Vibration: 20 G's, 10 to 2000 Hz.

Shock: 50 G's, 11 ± 1 milliseconds duration.

Insulation resistance: 1000 megohms at 500 VDC, all terminals to case.

Dielectric strength: 500 V RMS, 60 Hz, all terminals to case.

Sealing: Hermetic, 1.3 inches mercury.

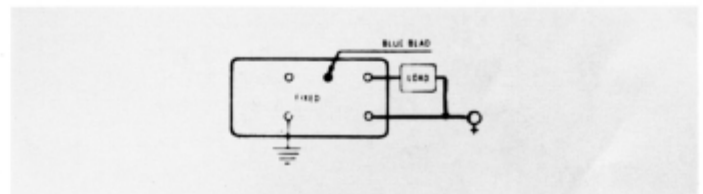
Life: Over 1,000,000 operations.

OPTIONS:

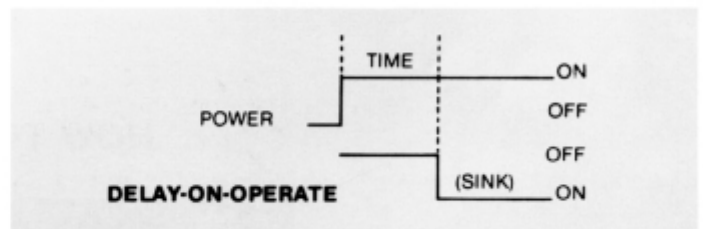
- $\pm 5\%$ tolerance range
- Header and mounting configuration



WIRING DIAGRAM



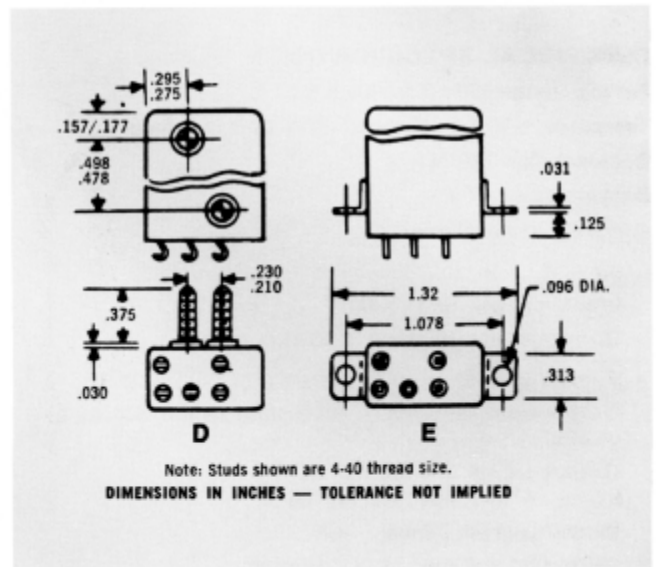
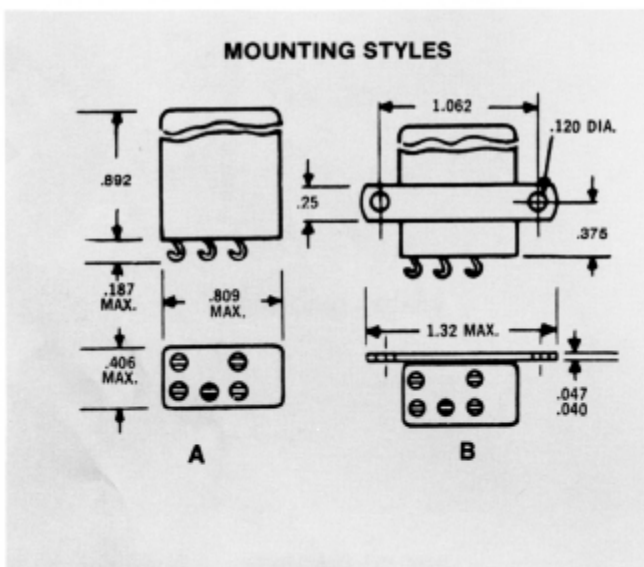
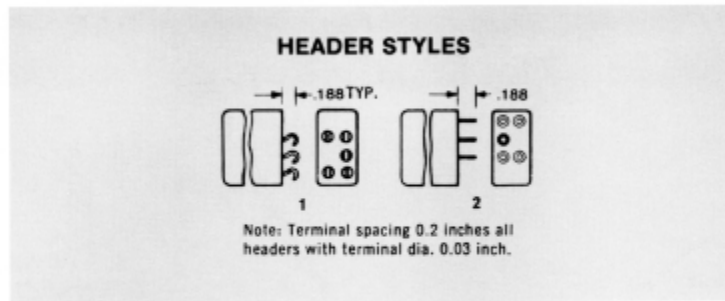
TIMING DIAGRAM



SPECIAL NOTES:

- Blank pin is active and must not be connected.

MECHANICAL SPECIFICATIONS



HOW TO ORDER:

A typical part number for the Hi-G Solid-State Timing Module is 1811-1A-1002, this is a fixed timing module designed to operate in the -55°C to $+85^{\circ}\text{C}$ temperature range, with hook terminals and a style A mounting, and a delay of 10 seconds.

Timing Code Determination: The timing code consists of four digits and denotes time in milliseconds. The first three digits are significant figures and the last digit is the number of zeros to follow. Thus 100 milliseconds is coded 1000; 1.1 seconds is 1101 (1100 milliseconds), and 60 seconds is 6002 (60,000 milliseconds).

Example:

